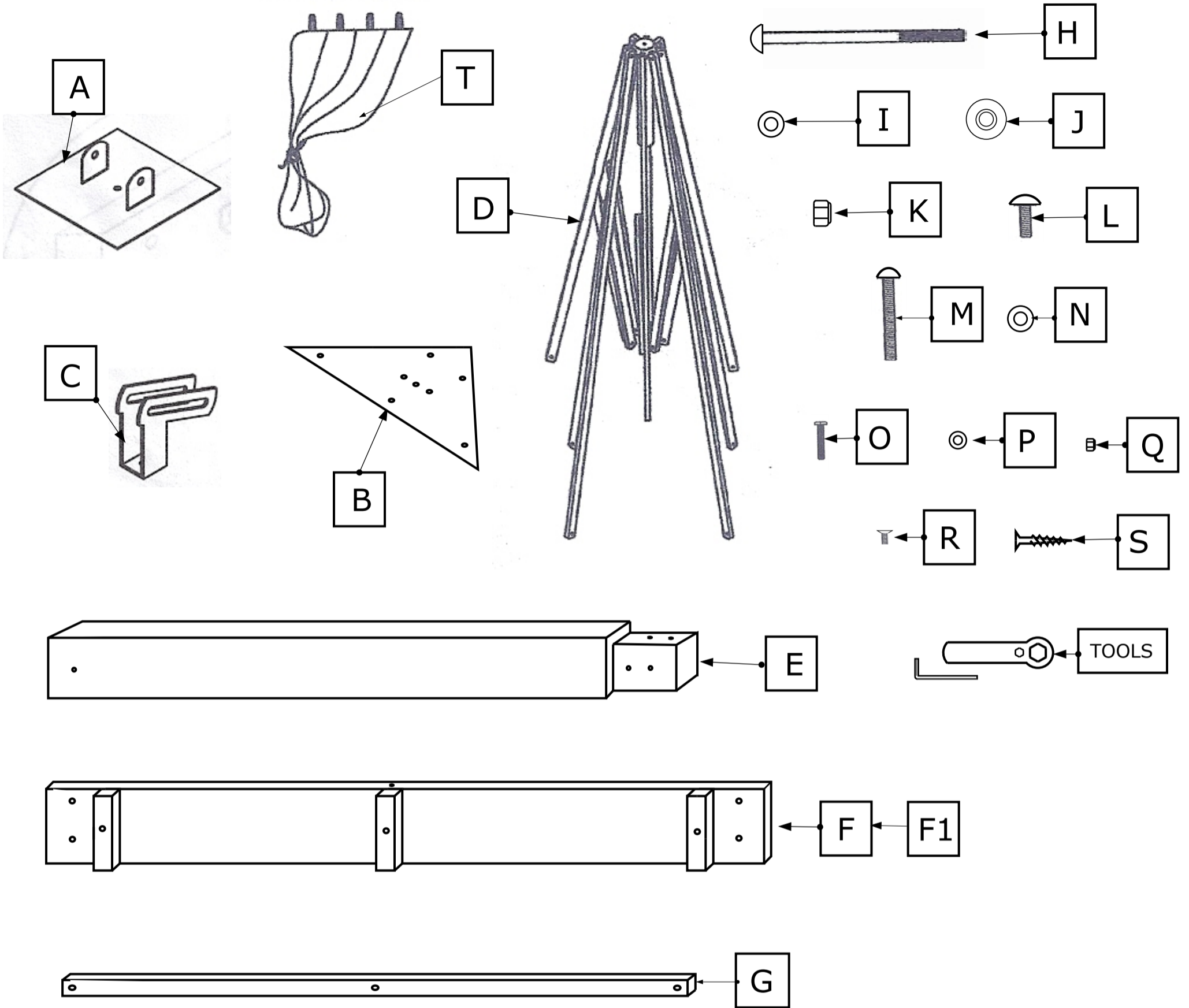


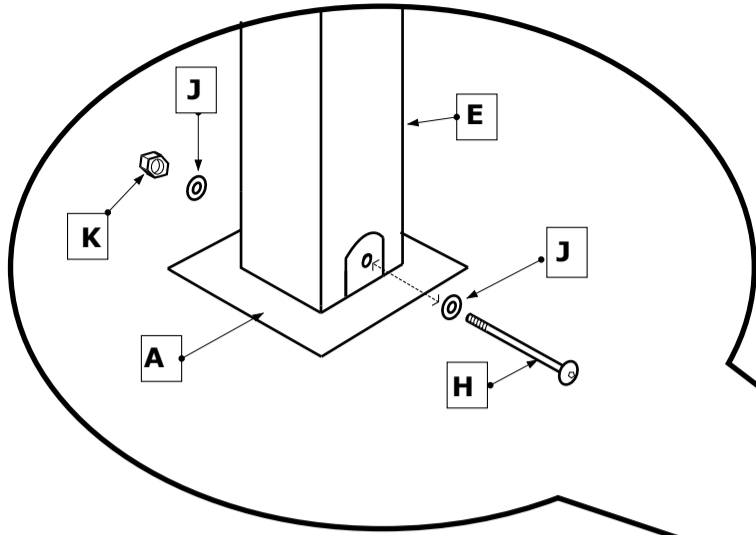
3m X 3m ALIZE - ASSEMBLY INSTRUCTIONS



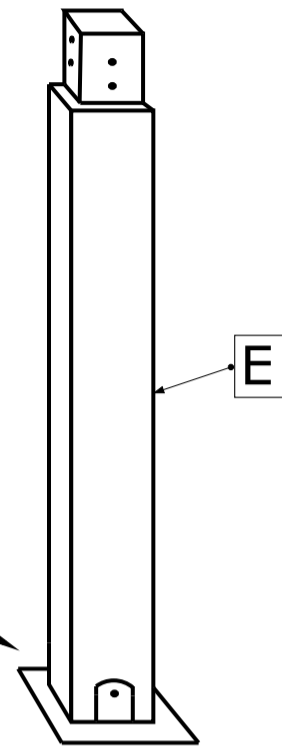
ITEM	PCS.	DESCRIPTION	ITEM	PCS.	DESCRIPTION	ITEM	PCS.	DESCRIPTION
A	4	POST BRACKET - BOTTOM	I	32	METAL WASHERS. M10	Q	12	SELF LOCKING NUTS. M5
B	4	POST BRACKET - TOP	J	8	CLEAR PLASTIC WASHERS	R	4	10mm X M5 - BOLTS (COUNTERSUNK)
C	8	RIB FASTENING BRACKETS	K	20	SELF-LOCKING NUTS. M10	S	16	30mm SCREWS
D	1	BAMBOO CANOPY (complete with fabric cover)	L	4	20mm X M6 - BOLTS (Domed)	T	4	CURTAINS
E	4	CORNER POSTS (2 left, 2 right)	M	12	45mm X M6-BOLTS	TOOLS		MULTI SPANNER. ALLEN KEYS. (MAY DIFFER FROM PICTURE)
F/F1	4	CROSSRAILS (2 longer, 2 slightly shorter)	N	12	METAL WASHERS. M6			
G	4	CURTAIN RAILS	O	8	30mm X M5 - BOLTS			
H	20	110mm X M10 - BOLTS	P	20	METAL WASHERS. M5			

3m X 3m ALIZE - ASSEMBLY INSTRUCTIONS

STEP 1

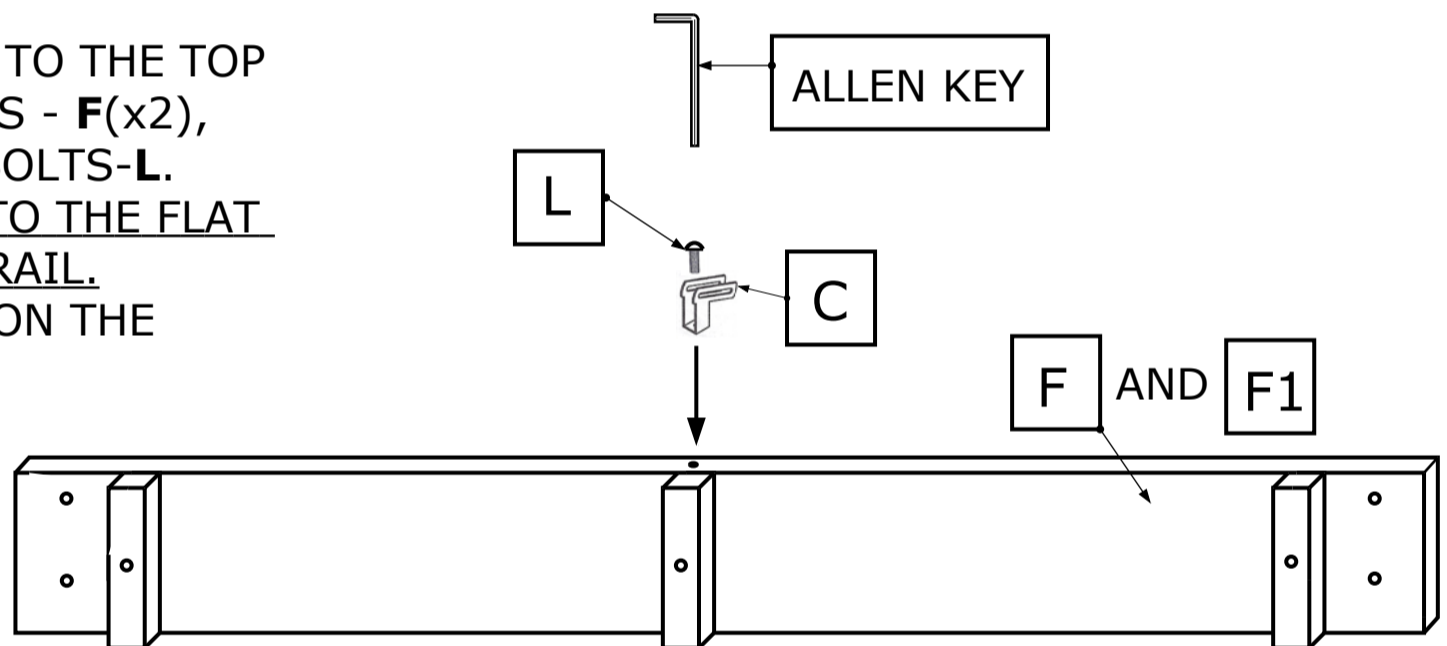


BOLT BRACKETS-**A** TO BOTTOM OF POSTS-**E**, USING BOLTS-**H**, PLASTIC WASHERS-**J** AND NUTS-**K**. (x4 POSTS)

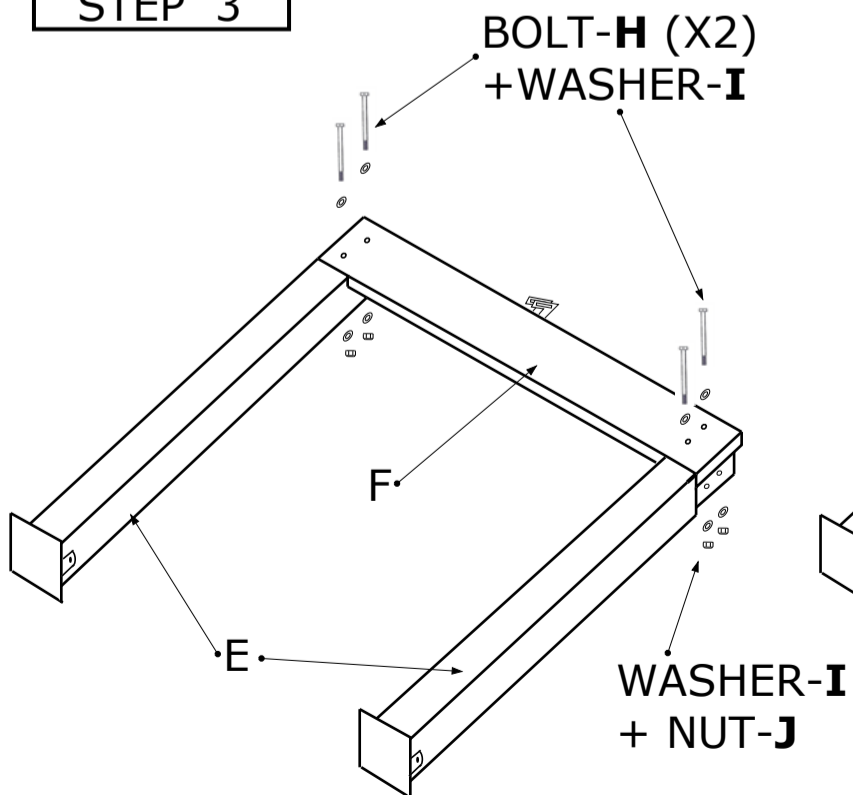


STEP 2

BOLT BRACKETS - **C** TO THE TOP EDGE OF CROSSRAILS - **F**(x2), AND **F1**(X2) USING BOLTS-**L**. PROJECTIONS FACE TO THE FLAT SIDE OF THE CROSSRAIL. (THE 3 BLOCKS ARE ON THE INSIDE FACE).



STEP 3



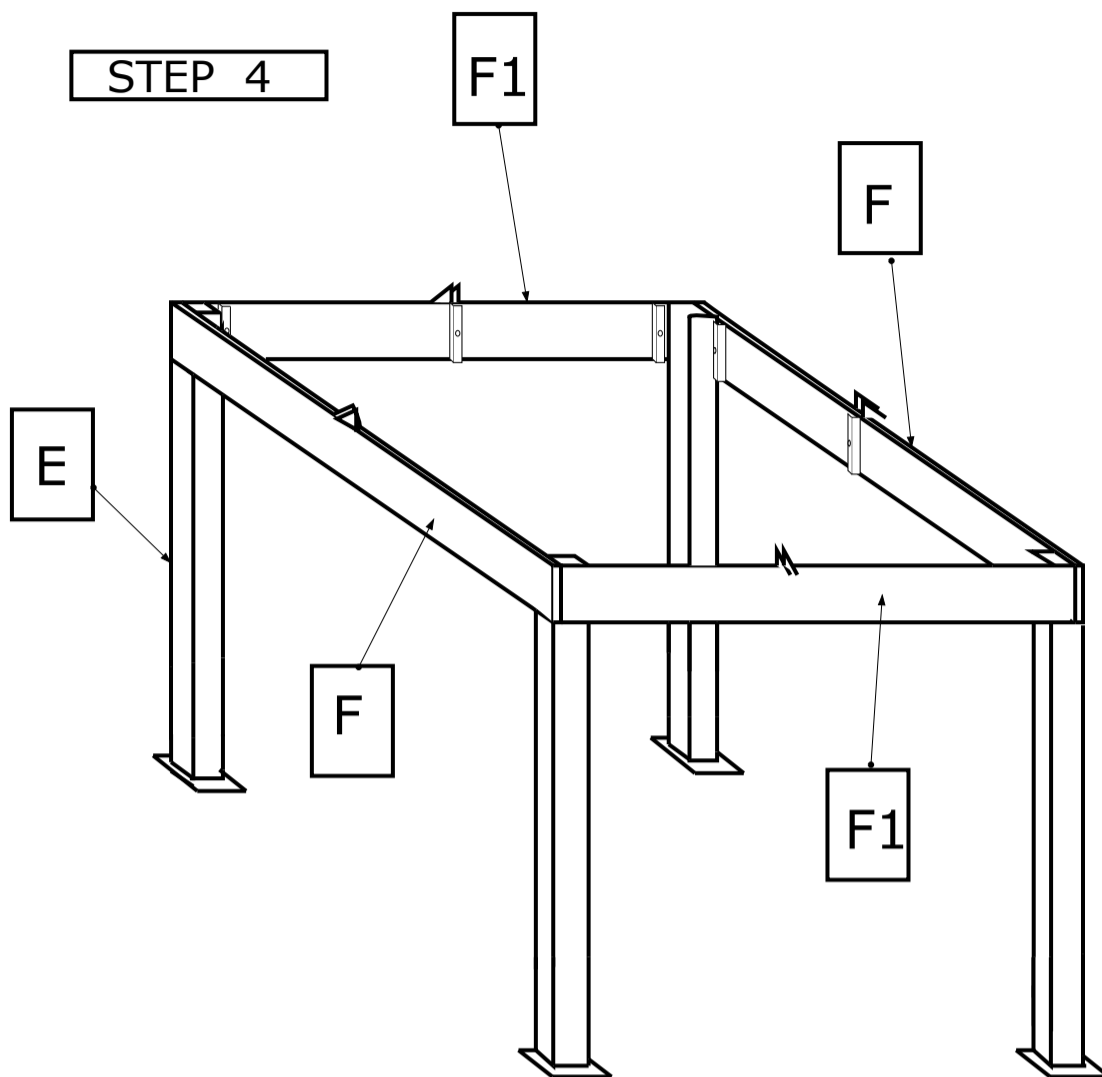
THE POSTS AND CROSSRAILS HAVE BEEN NUMBERED TO AID ASSEMBLY.

THE CODE ON THE CROSSRAILS SHOULD MATCH THE CODE ON THE POSTS

MAKE SURE BOLTS ARE TIGHTENED SECURELY.

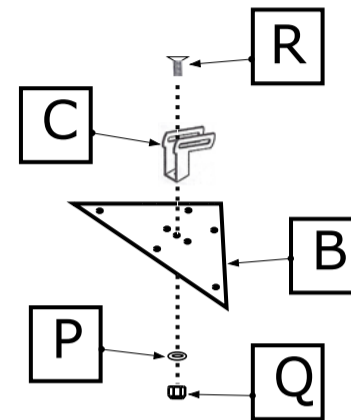
3m X 3m ALIZE - ASSEMBLY INSTRUCTIONS

STEP 4



ONCE TWO END SECTIONS ARE ASSEMBLED, STAND THEM UP AND BOLT THE OTHER TWO CROSSRAILS-F1 INTO POSITION.

SPECIAL CARE MUST BE USED... THIS WILL REQUIRE EXTRA ASSISTANCE.



THE REMAINING 4 RIB BRACKETS-C, ARE ATTACHED TO POST BRACKETS-B, WITH M5 BOLTS-R, WASHERS-P AND NUTS-Q.

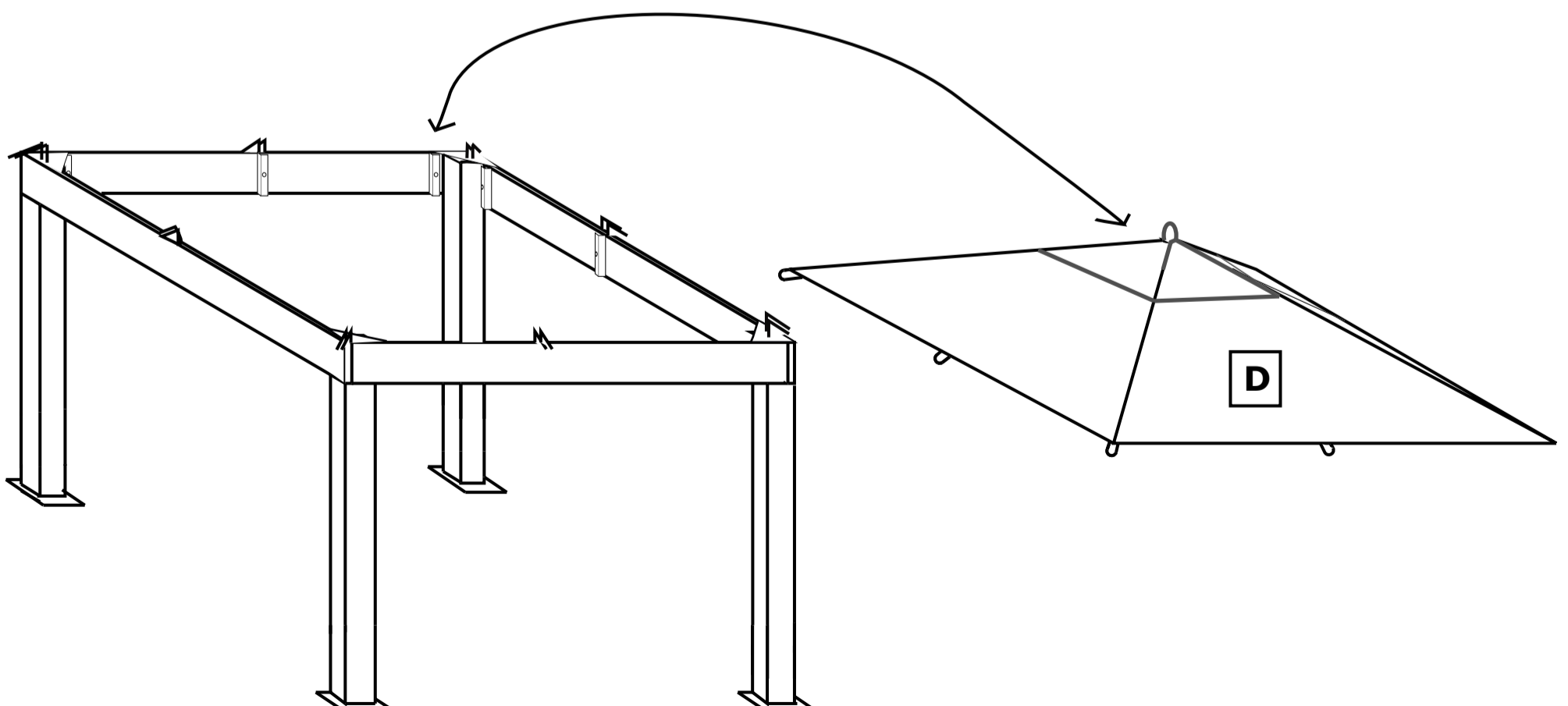
USE THE HOLE IN THE CENTRE OF BRACKET-B.

THEN, ATTACH-B (X4) TO THE TOP OF POSTS-E WITH THE SCREWS-S.

STEP 5

OPEN CANOPY D. CAREFULLY, LIFT IT OVER THE CROSSRAILS, LOCATING THE RIB ENDS INTO THE 8 BRACKETS.

THIS WILL NEED TO BE DONE BY TWO PEOPLE.

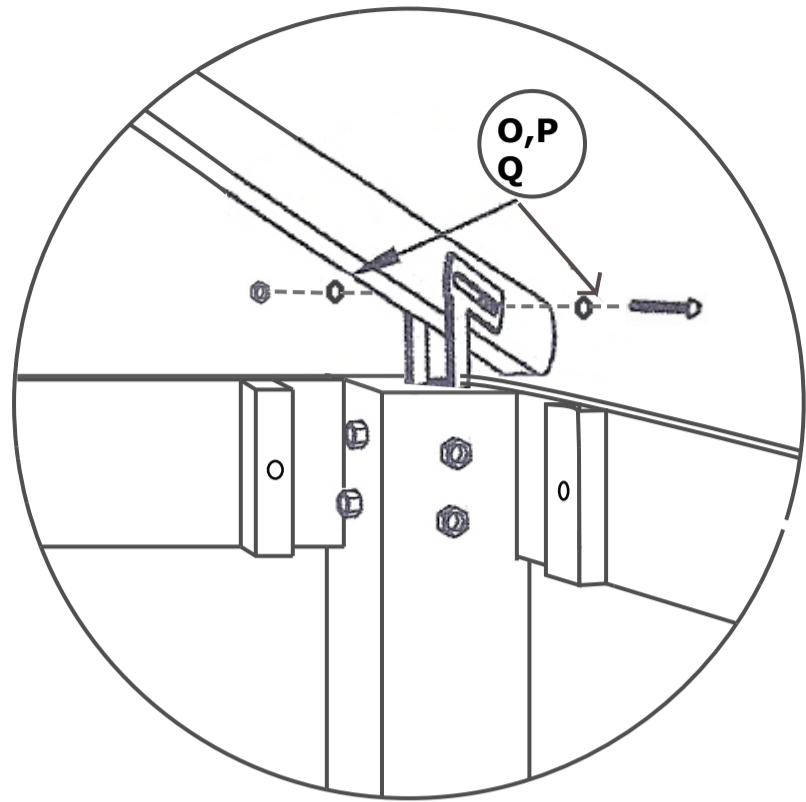


3m X 3m ALIZE - ASSEMBLY INSTRUCTIONS

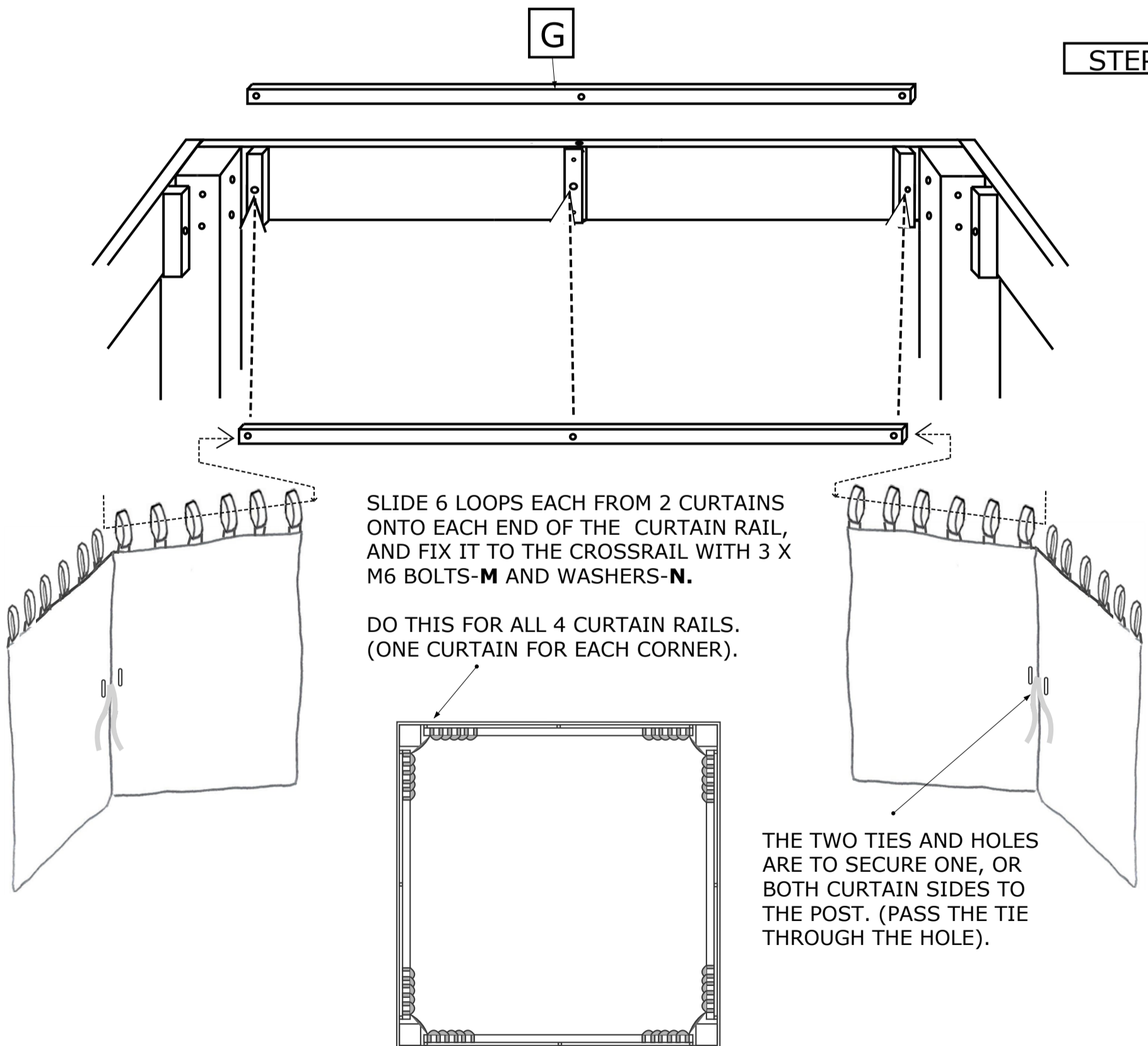
STEP 6

ATTACH ENDS OF CANOPY RIBS TO THE FRAME USING THE M5 BOLTS-**O**, WASHERS-**P** AND NUTS-**Q**.

DO THIS FOR ALL 8 RIBS.



STEP 7



SLIDE 6 LOOPS EACH FROM 2 CURTAINS ONTO EACH END OF THE CURTAIN RAIL, AND FIX IT TO THE CROSSRAIL WITH 3 X M6 BOLTS-**M** AND WASHERS-**N**.

DO THIS FOR ALL 4 CURTAIN RAILS. (ONE CURTAIN FOR EACH CORNER).

THE TWO TIES AND HOLES ARE TO SECURE ONE, OR BOTH CURTAIN SIDES TO THE POST. (PASS THE TIE THROUGH THE HOLE).